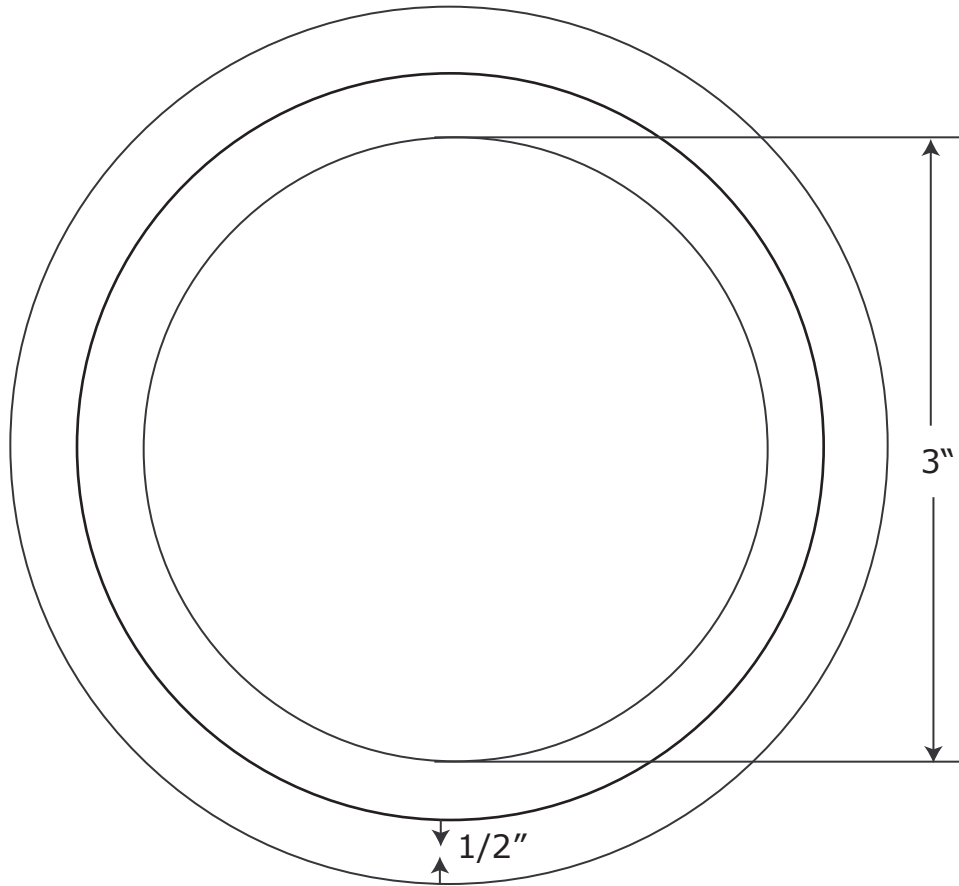


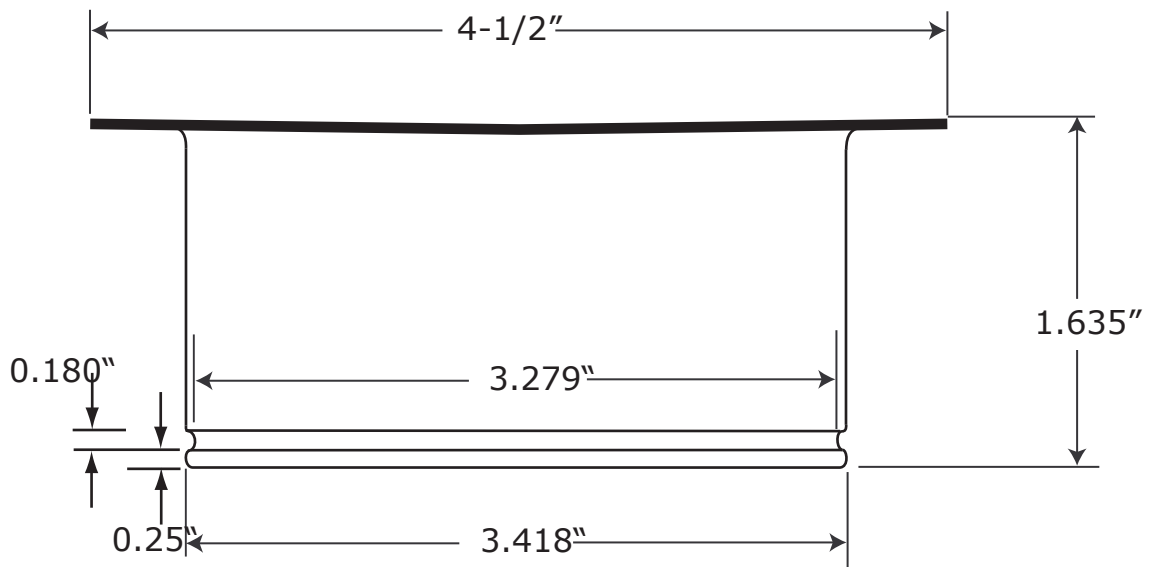
PART NO. D208

SPECIFICATION SHEET

In-Sink-Erator disposal flange.
Fits Most ISE models.



Top View



Side View