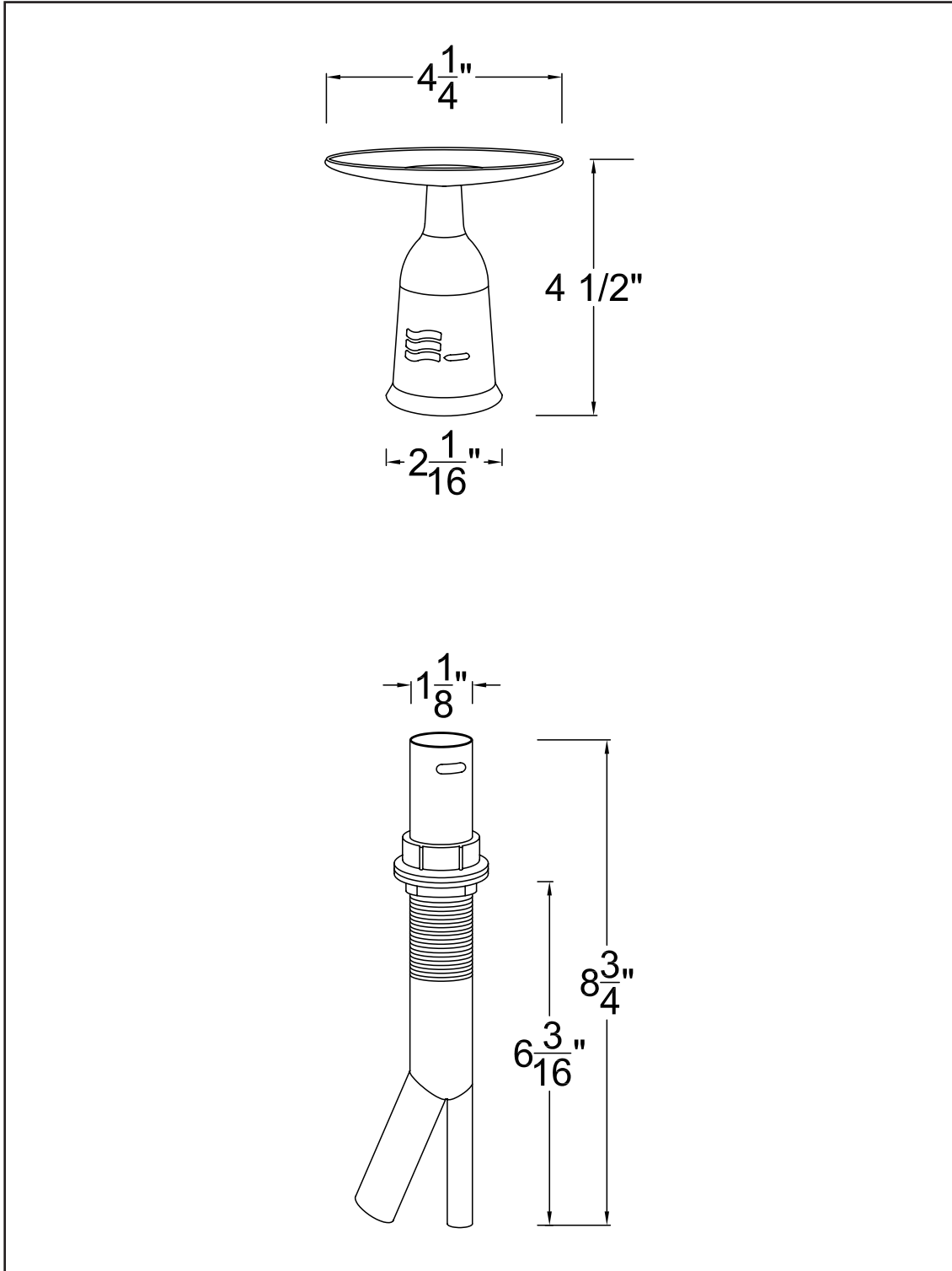


D201ST COMBINATION AIR GAPS

D201ST COMBINATION AIR GAP/SOAP TRAY. ALL PLASTIC SNAP ON TYPE CAP (INCLUDES AIR GAP BODY). PERFECT FOR SOAP, SPONGES AND JEWELRY.



WESTBRASS

2429 E. Olympic Blvd. Los Angeles, CA 90021
Phone: 213-627-8441 Fax: 213-627-2844
www.westbrass.com info@westbrass.com