

WESTBRASS

Faucets

Installation and Care Instructions



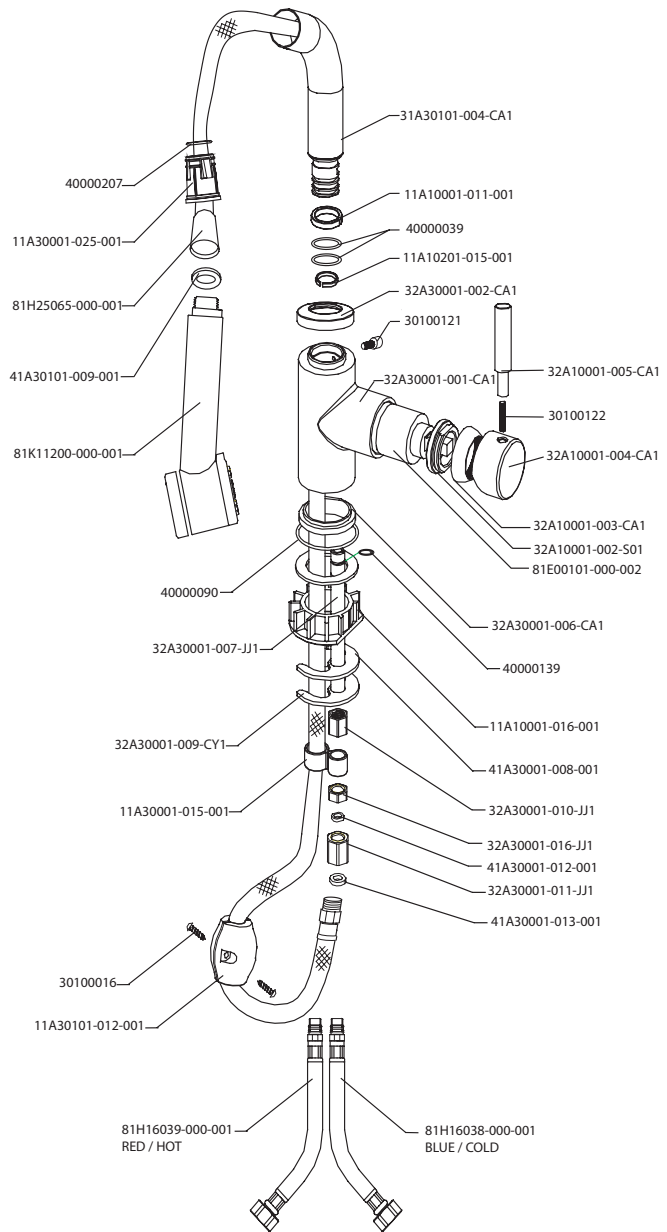
**Pull-Down Spray - Spring Spout
Single Handle Kitchen Faucets**

Color your World.

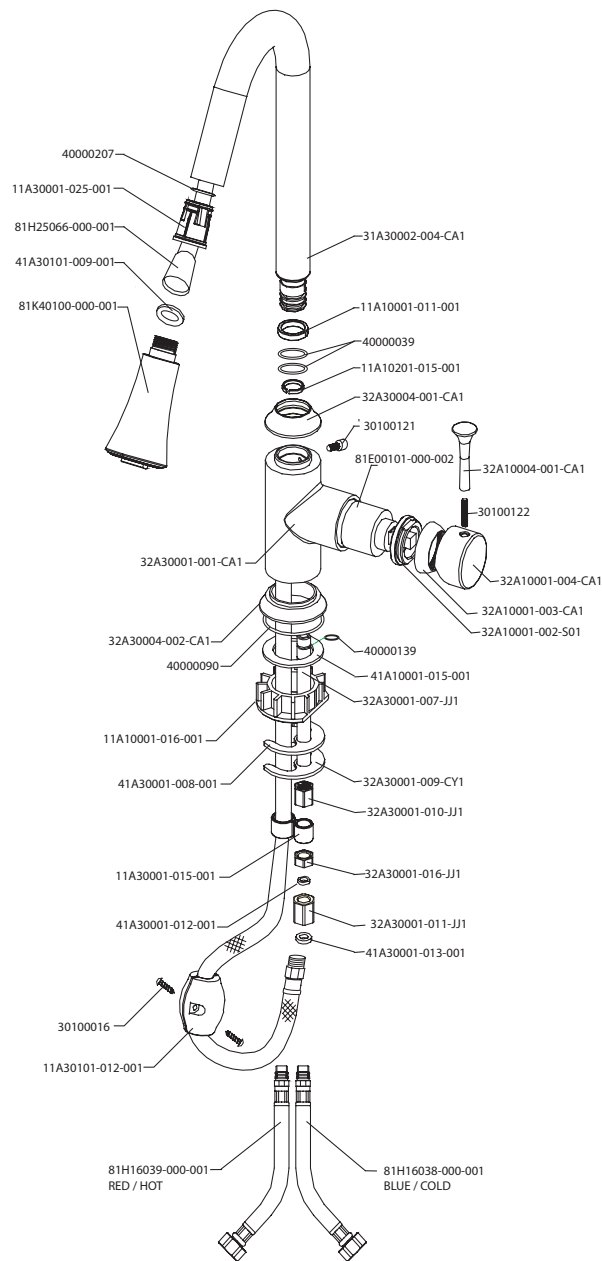
Component	Description
81K11200-000-001	Kissah Dual Spray Wand
41A30101-009-000	Hose Washer
81H25065-000-001	Pull-out Spray Hose
11A30001-025-001	Plastic Wand Guide
40000207	Cone Fitting O-ring
31A30101-004-CA1	Spout Neck
11A10001-011-001	Large Split Ring
40000039	Spout Neck O-ring
11A10201-015-001	Small Split Ring
32A30001-002-CA1	Spout Cover
30100121	Spout Screw
32A30001-001-CA1	Faucet Body
81E00101-000-002	Cartridge
32A10001-002-S01	Cartridge Nut
32A10001-003-CA1	Cartridge Cover
32A10001-005-CA1	Handle Pin
30100122	M5 x 25 Set Screw
32A10001-004-CA1	Handle Hub
32A30001-006-CA1	Faucet Base
40000090	Base O-ring
41A10001-015-001	Rubber Washer
32A30001-007-JJ1	Plastic Spacer Washer
40000139	Nipple O-ring
32A30001-007-JJ1	Hold Down Nipple
41A30001-008-001	Rubber Horseshoe Washer
32A30001-009-CY1	Metal Horseshoe Washer
32A30001-010-JJ1	Large Hold Down Nut
11A30001-015-001	Plastic Hose Guide
32A30001-016-JJ1	Small Hold Short Nut
41A30001-016-001	Mounting Nipple Seal
32A30001-011-JJ1	Hose Coupling
41A30001-013-001	Hose Seal Washer
11A30101-012-001	Hose Weight
30100016	Weight Screws
81H16038-000-001	Cold (Blue) Flex Line
81H16039-000-001	Hot (Red) Flex Line

INSTALLATION

1. Remove the screw from the Pullout Spray Hose Weight and remove the weight from the hose. Remove the Spray Hose and Adapter Coupling from the Mounting Nipple, taking care not to lose the O-ring seals from the coupling.



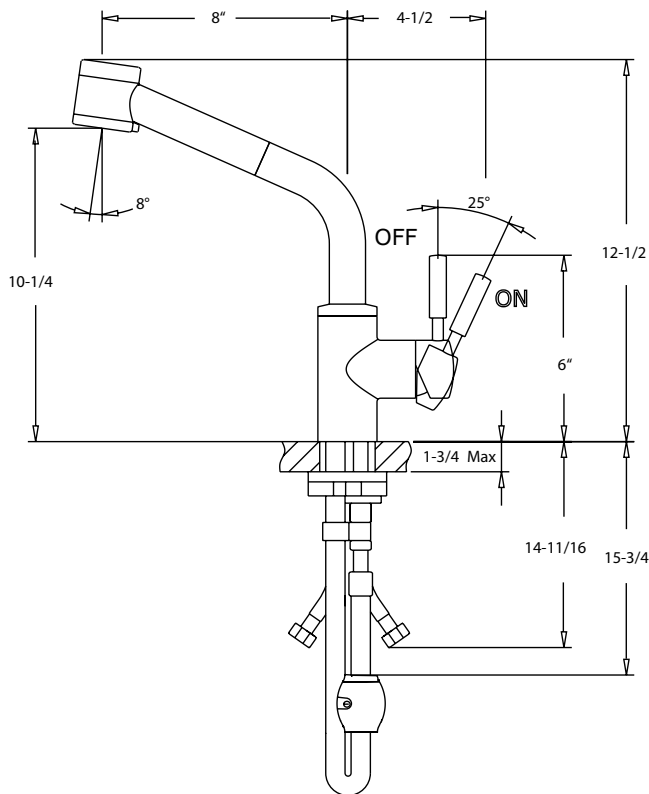
2. Remove the Mounting Nuts, Hose Guide, Mounting Washers and Spacer from the Mounting Nipple.
3. Place a very small bead of Silicone Caulking around the Faucet Base on top of the Base O-ring.
4. Gently insert the Pull-out Spray hose and then the flex lines through the sink hole and seat the faucet against the sink.
5. From under the sink, slide the Rubber Horseshoe Washer, then the Metal Horseshoe washer over the mounting nipple and thread on the long mounting nut to hold the assembly in place.
6. Rotate the faucet body to properly position the handle for easy use and tighten the Mounting Nut. Do not overtighten or sink damage can occur.
7. Slide the Hose Guide over the end of the spray Hose and on to the mounting nipple, then fasten the shorter Mounting Nut hold the hose guide in place.



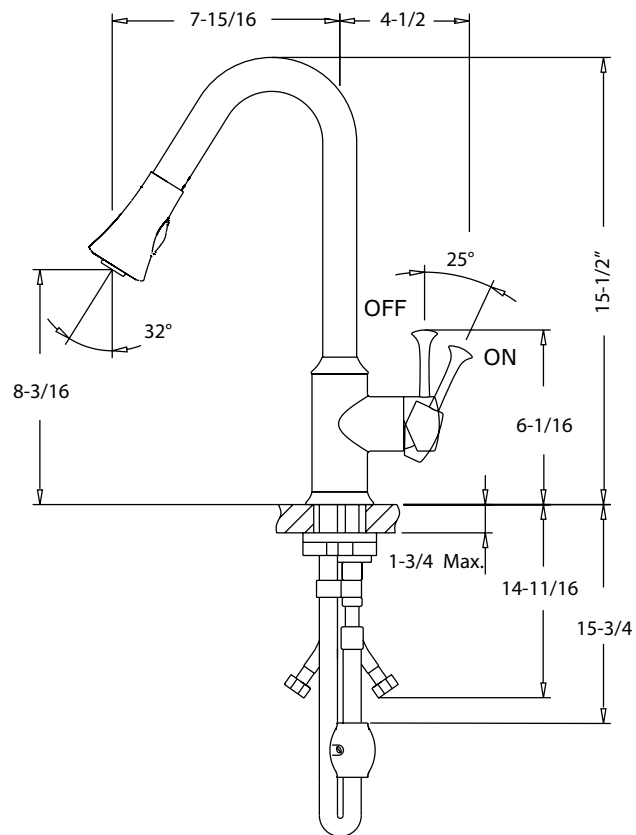
8. Thread the Hose adapter onto the mounting nipple. Then thread the Pull Out Spray Hose into the adapter end. Be sure to turn the nut at the swivel to prevent kinking.
9. Fasten the stainless steel flex line with the Red tracer to the 3/8" compression outlet of the hot water stop. Be sure to hold the hose and turn the end fitting. Do not kink the hose.
10. Fasten the stainless steel flex line with the Blue tracer to the 3/8" Compression outlet of the cold water stop. Be sure to hold the hose and turn the end fitting. Do not kink the hose.
11. Unscrew counter-clockwise the Dual Spray Wand from the hose end being sure to remove the Rubber Washer. Set aside.
11. Make sure Faucet is turned off, then turn on the hot and cold supply stops under the sink. Check for leaks.

Component	Description
81K11200-000-001	Kissah Dual Spray Wand
41A30101-009-000	Hose Washer
81H25065-000-001	Pull-out Spray Hose
11A30001-025-001	Plastic Wand Guide
40000207	Cone Fitting O-ring
31A30101-004-CA1	Spout Neck
11A10001-011-001	Large Split Ring
40000039	Spout Neck O-ring
11A10201-015-001	Small Split Ring
32A30004-001-CA1	Spout Cover
30100121	Spout Screw
32A30001-001-CA1	Faucet Body
81E00101-000-002	Cartridge
32A10001-002-S01	Cartridge Nut
32A10001-003-CA1	Cartridge Cover
32A10001-005-CA1	Handle Pin
30100122	M5 x 25 Set Screw
32A10001-004-CA1	Handle Hub
32A30001-006-CA1	Faucet Base
40000090	Base O-ring
41A10001-015-001	Rubber Washer
32A30001-007-JJ1	Plastic Spacer Washer
40000139	Nipple O-ring
32A30001-007-JJ1	Hold Down Nipple
41A30001-008-001	Rubber Horseshoe Washer
32A30001-009-CY1	Metal Horseshoe Washer
32A30001-010-JJ1	Large Hold Down Nut
11A30001-015-001	Plastic Hose Guide
32A30001-016-JJ1	Small Hold Short Nut
41A30001-016-001	Mounting Nipple Seal
32A30001-011-JJ1	Hose Coupling
41A30001-013-001	Hose Seal Washer
11A30101-012-001	Hose Weight
30100016	Weight Screws
81H16038-000-001	Cold (Blue) Flex Line
81H16039-000-001	Hot (Red) Flex Line

12. While holding the end of the faucet hose so that water does not spray everywhere, turn the faucet on full and let it run for 2 minutes to rinse out any debris from the supply lines. Turn the faucet off.
13. Place the Rubber Washer back into the hose fitting and then thread the Dual Spray Wand back into place.
14. Check faucet installation for leaks.



32176XL
Kissah



35177LT
Pintah

Sink Hole Size:

- Minimum 1-3/8"
- Maximum 1-7/8"

Maximum Deck Thickness:

- 1-3/4"

Flex Line End Fittings:

- 3/8" Female Compression

WARRANTY

All Westbrass products are warranted to the original purchaser for a period of 10 years in all finishes except Polished Chrome (26), PVD Brass (01) and Satin Nickel (07) which have a Lifetime Warranty. All products with a living finish do not hold any finish warranty. The living finishes include Unlacquered Polished Brass (02), Weathered Brass (03W), Unlacquered Copper (09), Weathered Copper (10W), Fired Copper (10F), Verde Green (28) and Oil Rubbed Bronze (12).

Product problems attributable to abuse, misuse, improper installation, hard water, maintenance or accidental damage are not covered by this warranty. No repairs or replacements will be made under such circumstances except at customer's expense. Liability under warranties expressed or implied is limited to replacement of defective goods only. The use of plumbers' putty on our products also voids the warranty. Silicon seal caulking should be used instead.

CARE AND CLEANING

With the exception of living finishes, all Westbrass decorative finishes are protected by the strongest finish treatments available while maintaining their luxurious appearance. While some finishes are more durable than others, no finish is indestructible.

All Westbrass products should be cleaned with a damp non-abrasive cloth and mild soap. Protecting the finish by drying after use and occasional treatment with a high quality Carnauba Wax or nonabrasive polish like Turtle Wax or Maguires for Clear Coat Car Finishes will maintain the luster for a lifetime. Faucet waxing also helps deter water spots and cloudy surfaces caused by hard water.