

# WESTBRASS

*Faucets*

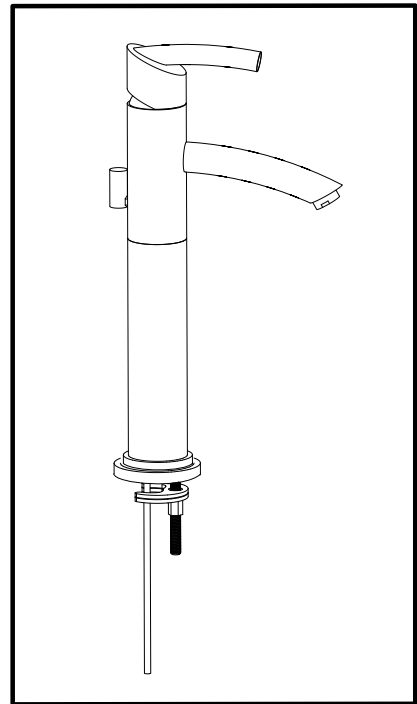
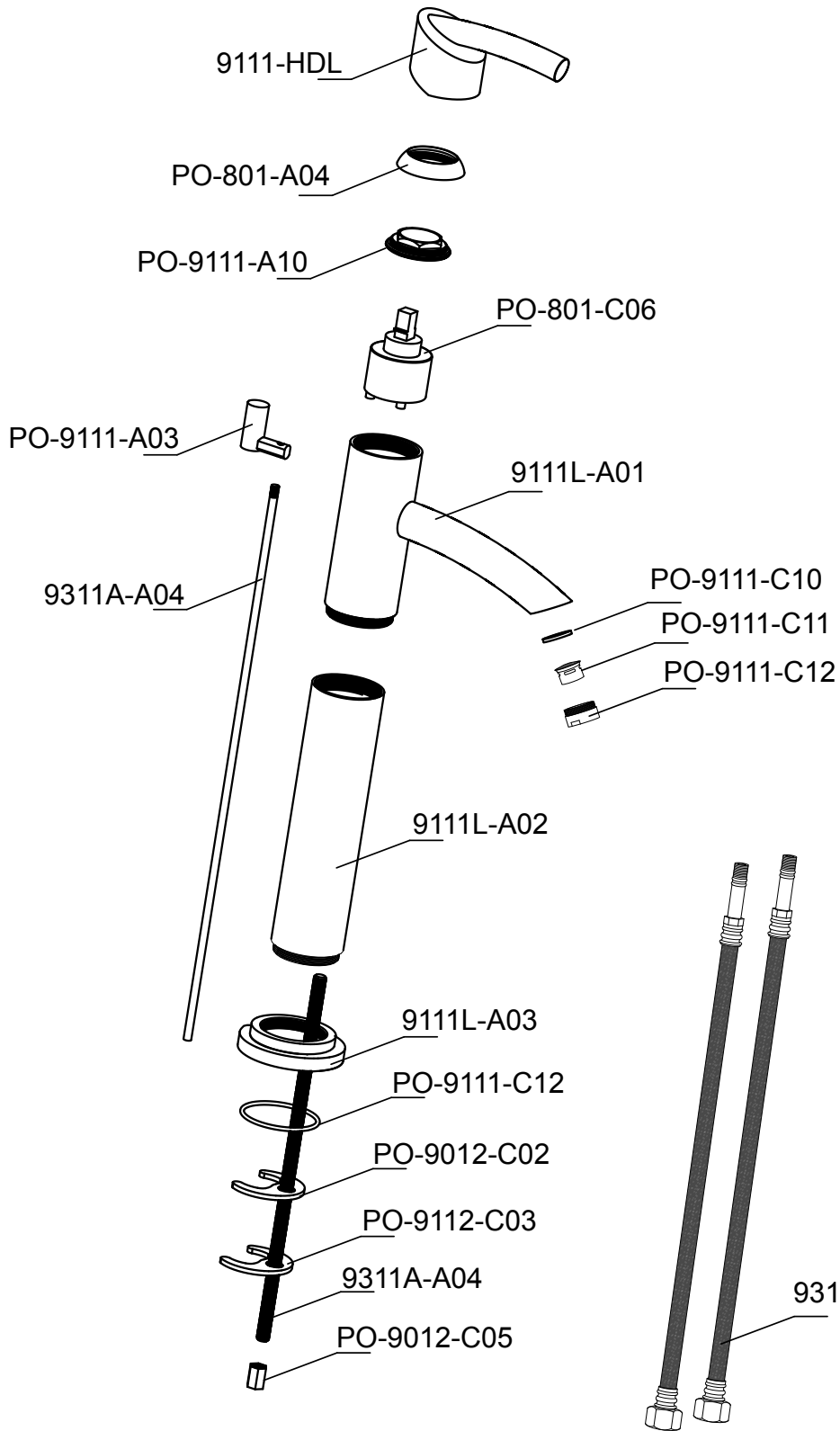


**9111L Azure Single Hole,  
Single Handle Vessel  
and Lavatory Faucet**

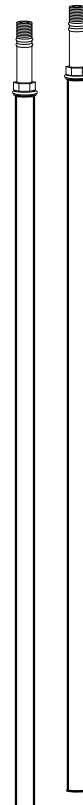
C-UPC®

*Color your World.*

**Installation and Care Instructions**



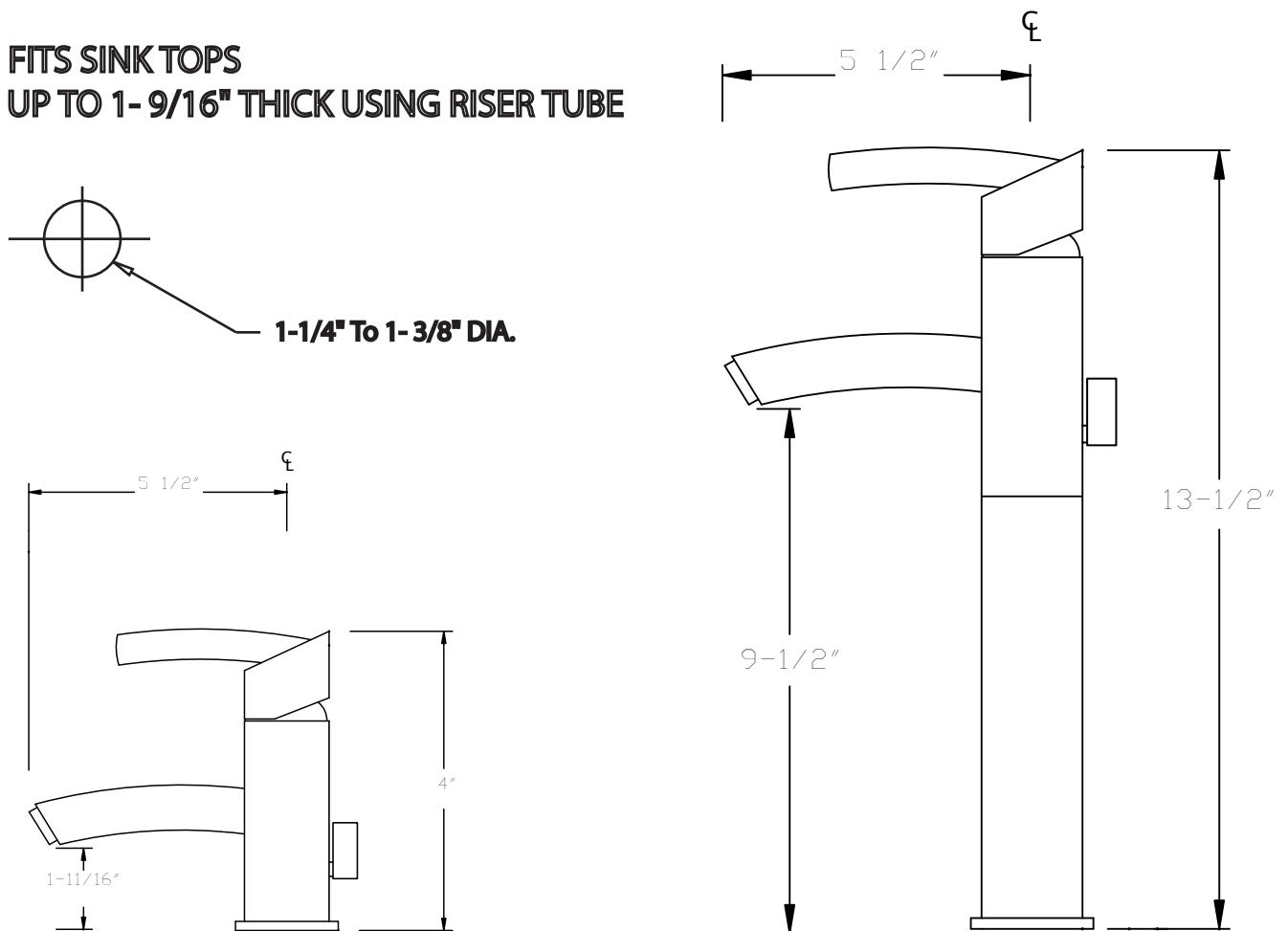
Special Order  
 24" Long  
 Fully Finished  
 Annealed Copper  
 Supply Lines for  
 Exposed Faucet  
 Mounting



2 ea. 1805R24

## TYPICAL MOUNTING PATTERN

**FITS SINK TOPS  
UP TO 1- 9/16" THICK USING RISER TUBE**



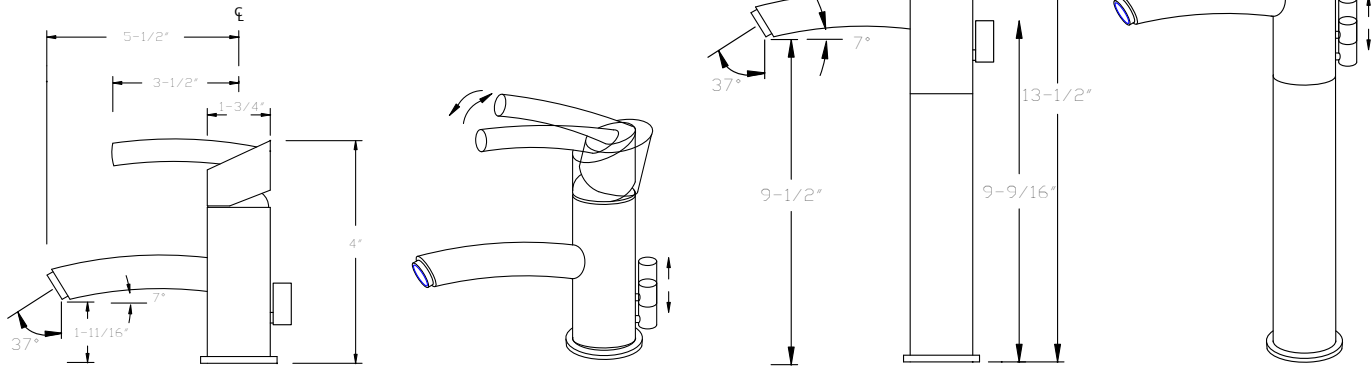
## Valve and Spout Installation

1. Remove Mounting hardware from mounting nipple. Unscrew base 9111L-A03 and riser tube 9111L-A02 from faucet. Check the mounting hole pattern & hole size information as shown above. Decide if faucet is to be installed with or without riser tube 9111L-A02.
2. Insert the hot & cold supply lines up thru the base escutcheon 9111L-A03 and riser if used. Tighten into ports in bottom of faucet. Make sure mounting rod 9311A-A04 is also tight, then thread on riser and escutcheon.
3. If pop-up drain is to be connected to unit, insert pop-up rod 9311A-A04 through bottom of faucet. Place knob PO-9111-A03 into slot in back of body 9111L-A01 and thread rod into knob.
4. Instal O-ring PO-9111-C12 into groove in bottom of escutcheon. Apply a thin bead of silicone to the O-ring.
5. Place the assembly through the mounting hole and center.
6. Slide rubber washer PO-9012-C02 and Metal mounting shoe PO-9112-C03 over mounting rod 9311A-A04. Thread Mounting nut PO-9012-C05 onto mounting rod 9311A0A04 and thread on until snug. Do not over tighten.
7. Attach flex lines 9311A-C05 to the hot & cold Shut off valves under the sink.
8. Install the drain chosen for the sink and connect to the wall waste outlet.
9. Remove the aerator assembly PO-9111-C10, C11 & C12 from end of the spout. Move faucet handle to full on position.
10. Carefully turn on water supply to rinse the lines and check for leaks. Watch for splashing.
11. Turn off faucet. Check for leaks. Replace aerator assembly.

# WESTBRASS®

## Faucets

9111L Azure single handle convertable vessel faucet. Mounts as a 9-1/2" clearance or a 1-11/16" clearance spout.



### WARRANTY

All Westbrass products are warranted to the original purchaser for a period of 10 years in all finishes except Polished Chrome (26), PVD Brass (01) and Satin Nickel (07) which have a Lifetime Warranty. All products with a living finish do not hold any finish warranty. The living finishes include Unlacquered Polished Brass (02), Weathered Brass (03W), Unlacquered Copper (09), Weathered Copper (10W), Fired Copper (10F), Verde Green (28) and Oil Rubbed Bronze (12).

Product problems attributable to abuse, misuse, improper installation, hard water, maintenance or accidental damage are not covered by this warranty. No repairs or replacements will be made under such circumstances except at customer's expense. Liability under warranties expressed or implied is limited to replacement of defective goods only. The use of plumbers' putty on our products also voids the warranty. Silicon sealing compounds should be used.

### CARE AND CLEANING

With the exception of living finishes, all Westbrass decorative finishes are protected by the strongest finish treatments available while maintaining their luxurious appearance. While some finishes are more durable than others, no finish is indestructible. All Westbrass products should be cleaned with a damp non-abrasive cloth and mild soap. Protecting the finish by drying after use and occasional treatment with a high quality Carnauba Wax or nonabrasive polish like Turtle Wax or Maguires for Clear Coat Car Finishes will maintain the luster for a lifetime. Faucet waxing also helps deter water spots and cloudy surfaces caused by hard water.

The Westbrass Company • 2429 E. Olympic Blvd., Los Angeles, CA 90021  
(213) 627-8441 • (800) 39-BRASS • Fax (213) 627-2844 • [www.westbrass.com](http://www.westbrass.com)