

## Installation Instructions:

Note: In wall plumbing must be thoroughly supported by a winged ell or some other device. A shut-off valve placed inside a cabinet or behind an access panel is highly recommended.

1. The Pot Filler mounts using a 1/2" NPSM nipple (22) which must be cut to length. Thread the nipple into the wall fitting and dry fit the base (20). Cut the nipple as required to allow the base to meet the wall securely with the flats and screw holes horizontal. Mark the location of the screw holes.

2. Drill pilot holes for the mounting screws (18) if mounting into wood support or for the dry wall anchors (23) if no support is present.

3. Wrap the mounting nipple (22) clockwise with Teflon tape or use a high quality thread adhesive to seal the nipple to the wall plumbing. The nipple can be snugged in using a 12.5mm hex wrench.

4. Wrap the nipple end (22) with Teflon tape or apply a high quality thread adhesive. Place the base O-ring (21) in the groove in the mounting base (20) and thread the base onto the mounting nipple until the holes line up and the base meets the wall. For extra security or with heavily textured wall surfaces, a thin bead of silicone caulking can be applied over the O-ring. Drive the mounting screws into the predrilled holes.

5. Extend the Pot Filler fully. Gently slide the unit fully onto the mounting base and tighten the two mounting set screws (10) with a 3mm hex wrench. Insert the decorative cover caps with O-rings (16, 17) into the screw holes.

### Testing:

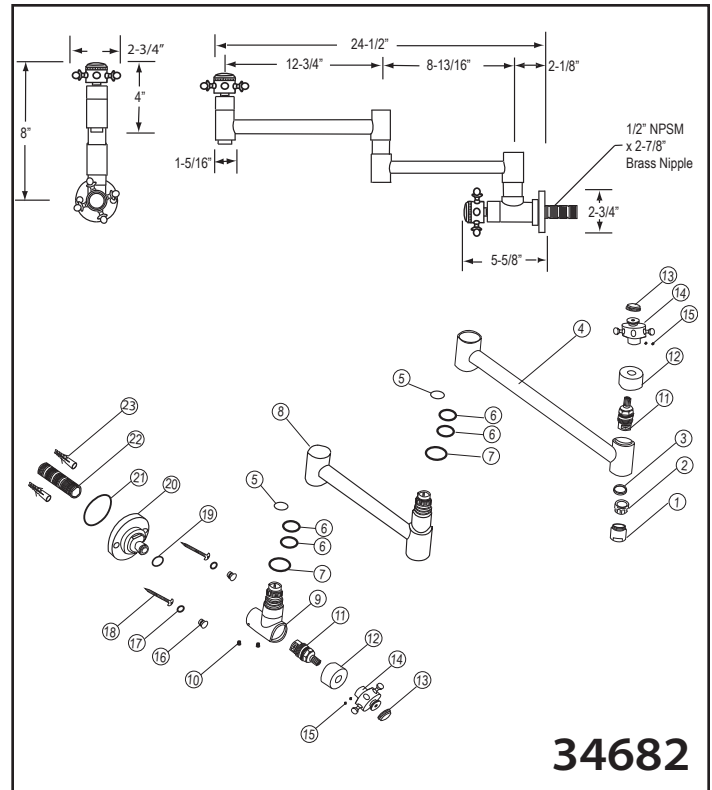
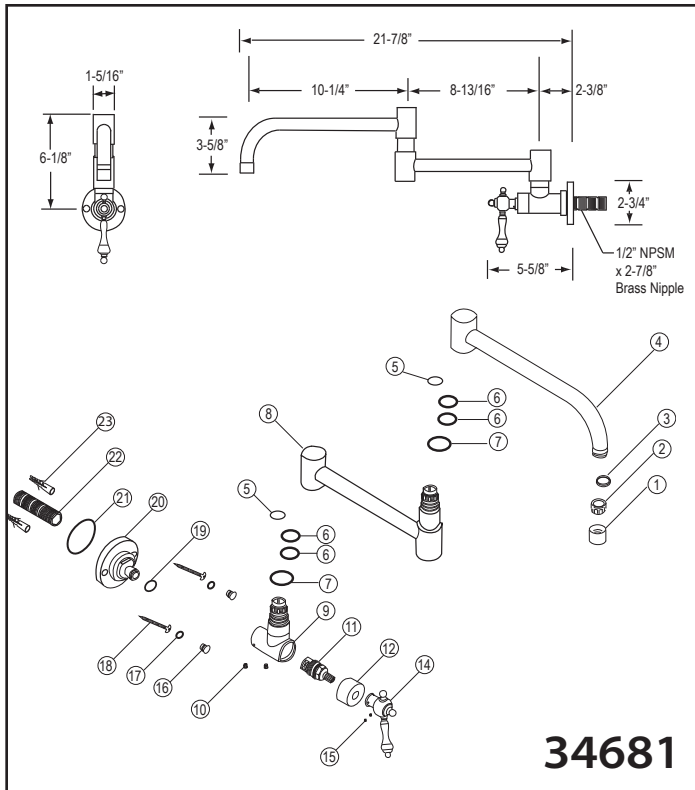
- Carefully remove the aerator.
- Open the pot filler handle(s).
- Turn on the water supply. Thoroughly rinse out the faucet and check for leaks.
- Turn off the pot filler handle(s) and check for leaks.

# WESTBRASS

# WESTBRASS

## Faucets

### Pot Fillers



### CARE AND CLEANING

Polished chrome, satin chrome and PVD finishes are the most durable finishes. All other finishes are electroplated and then some are coated to enhance the gloss and durability. However, others are uncoated “Living” finishes, designed to age and change in their natural beauty. All of these finishes, plated and living, require a bit more care in use.

**TO CLEAN:** Do not use any cleansers such as Soft Scrub, Bubbles, Comet or any combined cleaners fortified with ammonia or bleach. Use only plain warm water and mild soap such as Ivory on a soft cloth or sponge. It is not necessary to rub hard to remove spots.

**TO PROTECT:** An occasional application of non abrasive Carnauba Wax (without cleaners) like that found in Flitz Faucet Wax or Turtle Wax for Clear Coat Car Finishes, will protect the finish and enhance the gloss.

### WARRANTY

All Westbrass products are warranted to the original purchaser for a period of 10 years in all finishes except Polished Chrome (26), PVD Brass (01) and Satin Nickel (07) have a Lifetime Warranty. Any products with a living finish do not hold any finish warranty. The living finishes include Unlacquered Polished Brass (02), Weathered Brass (03W), Unlacquered Copper (09), Fired

Copper (10F), Weathered Copper (10W) and Oil Rubbed Bronze (12).

Product problems attributable to abuse, misuse, improper installation, hard water, maintenance or accidental damage are not covered by this warranty. No repairs or replacements will be made under such circumstances except at customer’s expense. Liability under warranties expressed or implied is limited to replacement of defective goods only. The use of plumbers’ putty on our products voids the warranty. Silicon sealing compounds should be used.

Westbrass

2429 E. Olympic Blvd., Los Angeles, CA 90021 • (800) 39-BRASS • (213) 627-8441  
www.westbrass.com • info@westbrass.com