

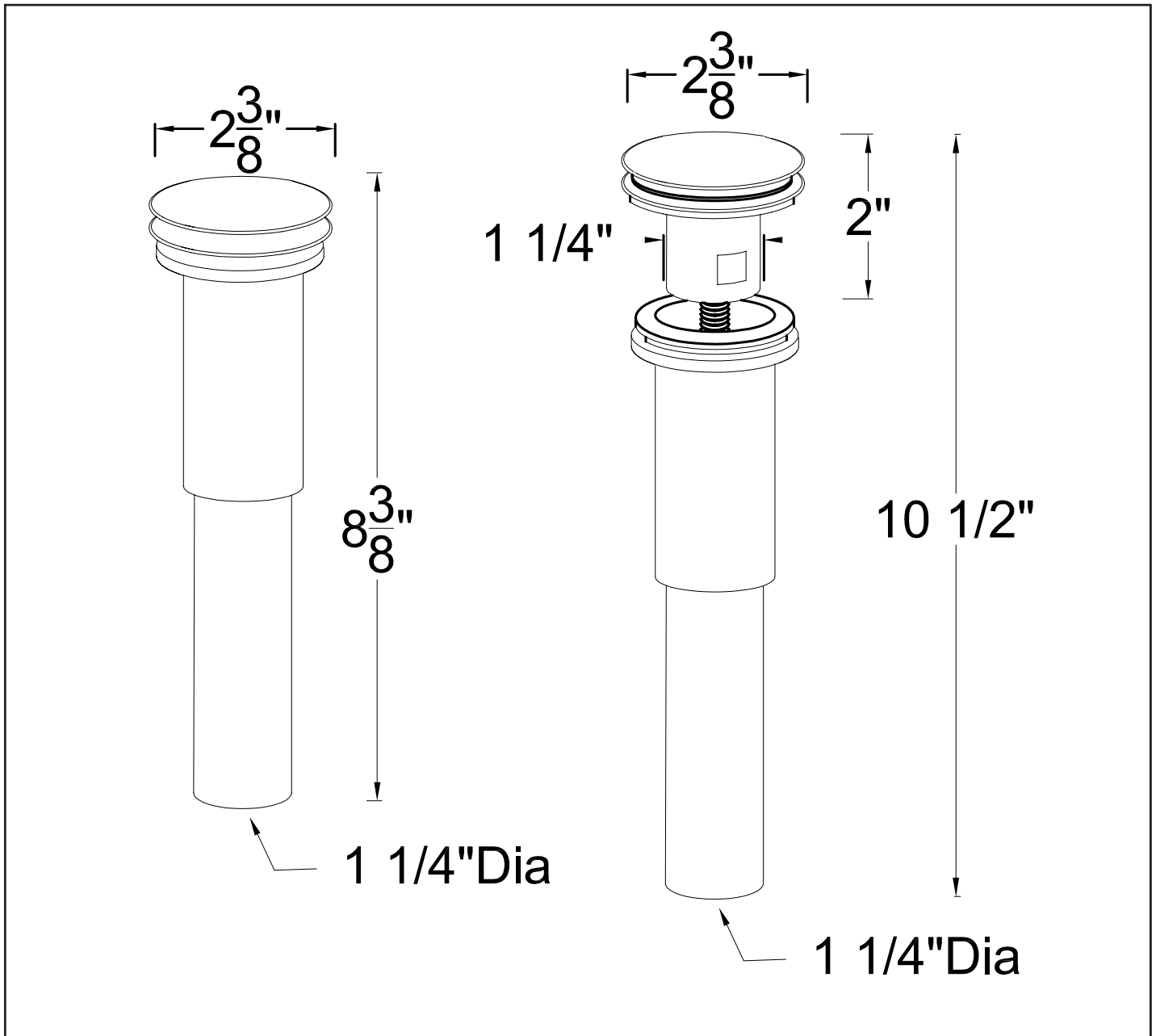
# D 410E

## LAVATORY DRAIN

### UNIVERSAL UMBRELLA DRAIN

D410E Fits 1-1/2" Opening.

Uç^!' [ , ÁP [|^• CE!^ÁÔ [ ]&^æ|^áÁQ}ÁÓæ•^ÁU~ T [ ]ÁÔ~ ]  
Ôæ}ÁÓ^ÁW•^áÁQ}Á Y äc@ÁU!Á Y äc@ [ ~cÁUç^!' [ , ÁUäc~æcá [ ]•È  
Ú~•@ÁQ}ÁÛc [ ] ]^! T[ÁU^æ|Á Yæc^!



# WESTBRASS

2429 E. Olympic Blvd. Los Angeles, CA 90021  
Phone: 213-627-8441 Fax: 213-627-2844  
www.westbrass.com info@westbrass.com